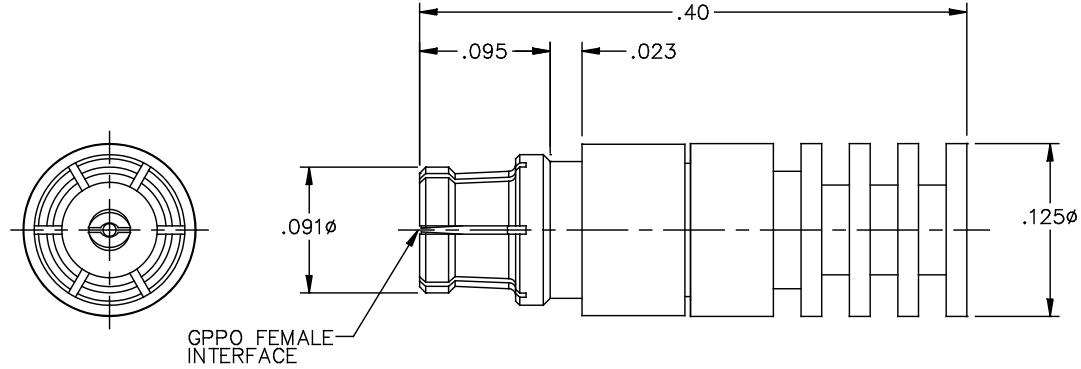
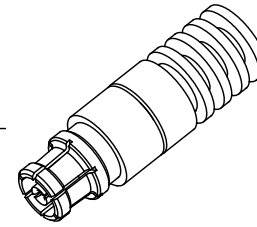


CATALOG NUMBER

B055-A11-06

MATERIAL AND FINISH  
 HOUSINGS, END CAP,  
 AND CENTER CONTACT:  
 DIELECTRIC:  
 MAX. AVERAGE POWER:

BeCu; GOLD PLATE 75 MICROINCHES TYPICAL  
 OVER NICKEL PLATE 100 MICROINCHES TYPICAL  
 VIRGIN PTFE  
 0.5 WATTS



This drawing and any data contained herein is the property of Corning Gilbert Inc., and constitutes and contains proprietary and confidential information. Neither receipt nor possession of this drawing confers or transfers any right to duplicate, use or disclose any information contained herein except as expressly authorized by Corning Gilbert Inc.

GPPO 1/2 WATT  
 FEMALE LOAD

IDENT CODE:  
 82316

REVISION: 01

**Corning Gilbert Inc.**

SOURCE FILE: SK-2534

DWG. NO.: OL-B055-A11-06

ASSY. PROC.: -